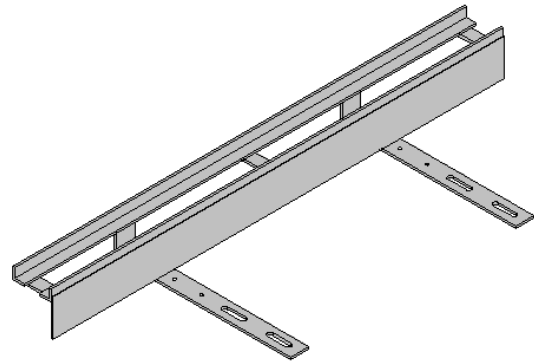
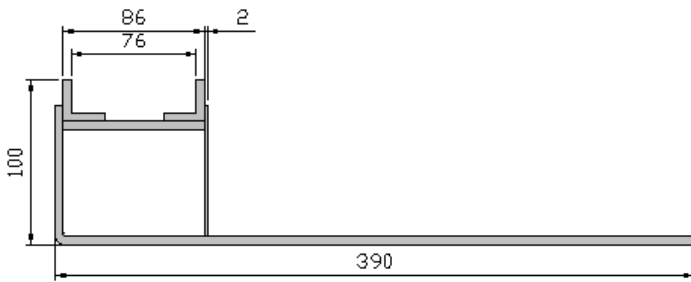
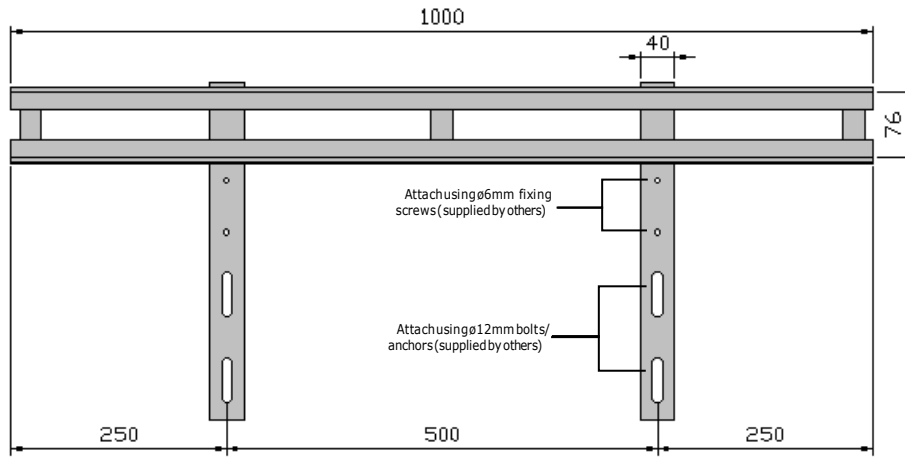


# ACO Threshold - Cantilever

Drainage system for level threshold building entries

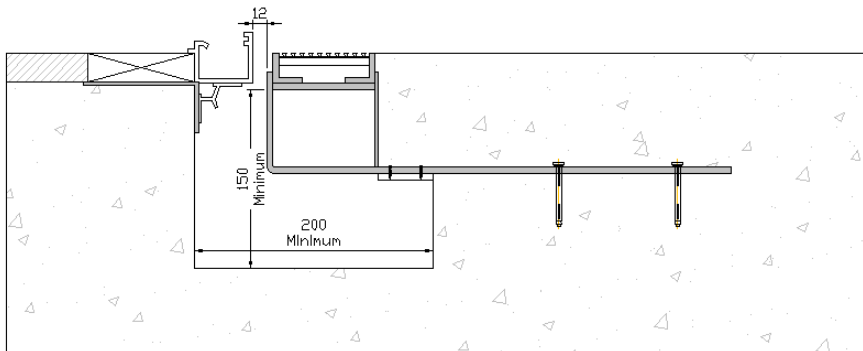


*ACO Specification Information*

# ACO BUILDLINE

## ACO Threshold - Cantilever

Parts Table	Part No	Length mm	Weight Kgs
ThresholdDrain Stainless Steel Frame	73048	1000	6.8
ThresholdDrain Stainless Steel Frame	73049	2000	13.3
ThresholdDrain Galvanised Steel Frame	73050	1000	6.5
ThresholdDrain Galvanised Steel Frame	73051	2000	12.8



### Specifications

#### General

Drainage system designed to comply with the level threshold requirements in E2 External Moisture of the New Zealand Building Code. No supports or legs impede drainage channel and are completely interdependent of joinery/cladding.

#### Materials

The frame system shall be manufactured from galvanised/stainless\* steel.

The frame shall provide a 100mm wide drainage opening and a 12mm open slot between the frame and the door assembly. A minimum 200mm wide drainage channel can be formed beneath the frame system.

The Cantilever unit shall comply fully with E2 External Moisture of the New Zealand Building Code. The Grate shall be fully supported without additional supports or legs impede drainage channel and are completely interdependent of joinery/cladding.

#### Grates

A selection of ACO DrainLok™ grates, complying with Clause 9—AS 1428.2, Access and Mobility, ensuring safe passage of walking canes and wheelchairs, are available.

Grates shall be specified. See separate ACO Spec Info grate sheets for details. After removal of grates and there shall be uninterrupted access to the trench to aid maintenance.

#### Installation

The trench drain system shall be installed in accordance with the manufacturer's installation instructions and recommendations.

\* delete as necessary

#### ACO Limited

Unit F/6 Percival Gull Place  
Mangere, Auckland 2022  
New Zealand

Tel: 0800 448 080  
Tel: +64 (0)9 815 9500  
Fax: +64 (0)9 255 5114

**Electronic Contact**  
info@aconz.co.nz  
www.acoself.co.nz



© February 21 ACO Limited.

All reasonable care has been taken in compiling the information in this document. All recommendations and suggestions on the use of ACO products are made without guarantee since the conditions of use are beyond the control of the Company. It is the customer's responsibility to ensure that each product is fit for its intended purpose and that the actual conditions of use are suitable. ACO Limited reserves the right to change products and specifications without notice.

Re-order LENZ00??