

# ACO BuildLine

## ThresholdDrain -

### OnePour™

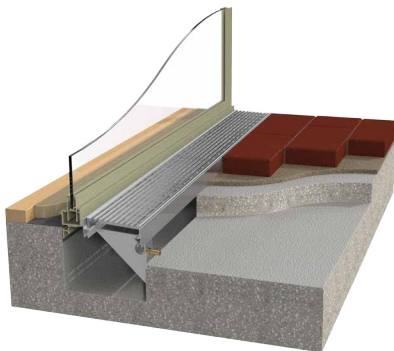
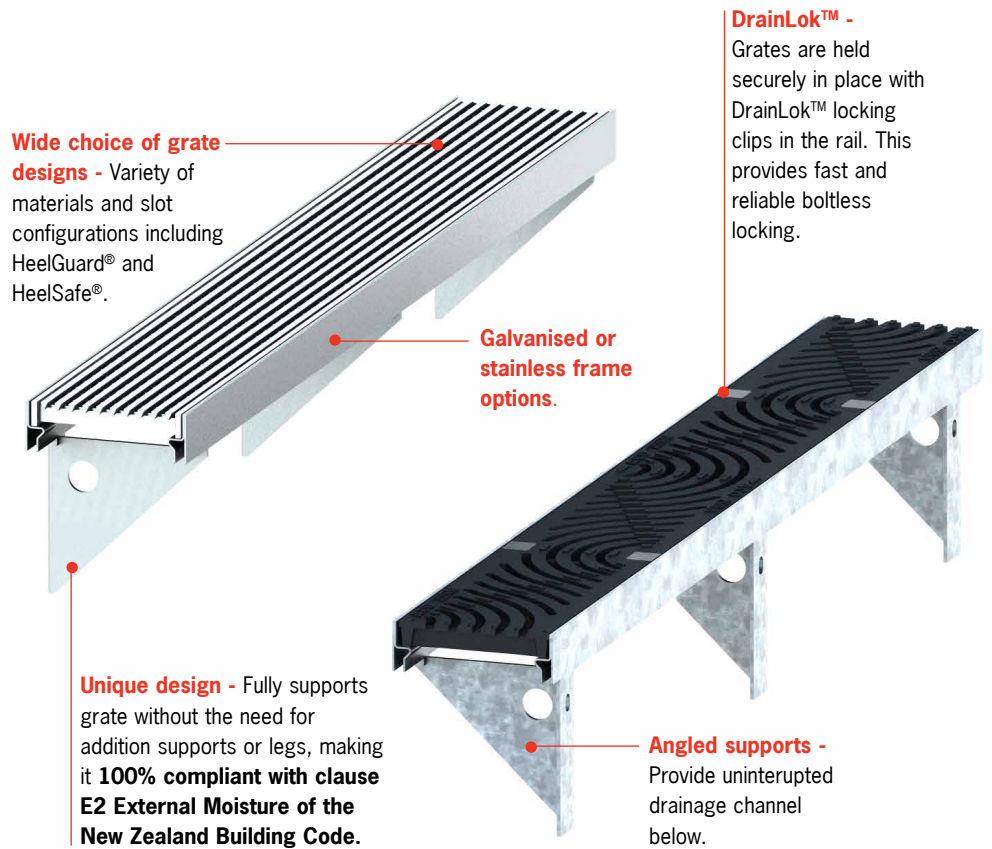
Single pour drainage system for level threshold building entries



### Typical Applications

- Level entry thresholds
- Balconies
- Outdoor decks
- Entertaining areas

# ACO Building Drainage



## ACO ThresholdDrain

OnePour™ Leaflet



OnePour™ - E2 compliant single pour ThresholdDrain



## OnePour™ ThresholdDrain

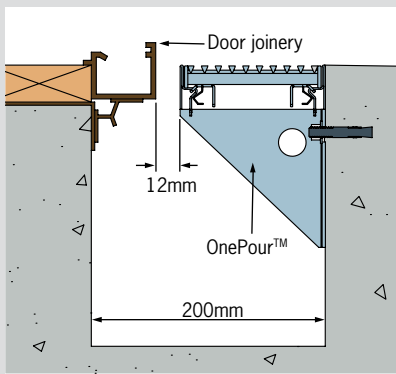
Drainage system designed to comply with the level threshold requirements in **E2 External Moisture** of the New Zealand Building Code. No supports or legs impede drainage channel and are completely interdependent of joinery/cladding.

**OnePour™** can accommodate all **DrainLok™** grate designs complying with Clause 9—AS 1428.2, Access and Mobility, ensuring safe passage of walking canes and wheelchairs.

**HeelGuard®** grates have slots 10mm or less to prevent stiletto style heels becoming trapped.

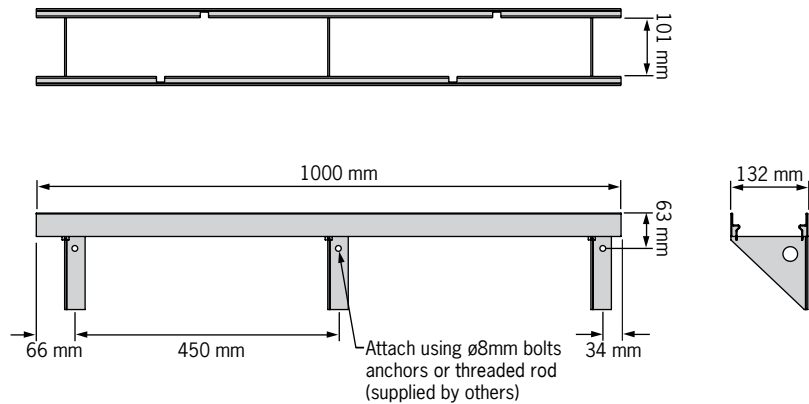
**HeelSafe®** grates offer anti-slip properties in addition to slots 10mm or less.

The unique design of OnePour™ allows installation with a single concrete pour, greatly reducing installation time and effort. Unique design also makes an ideal solution for retrofit installations.



## Parts Table

	Part No		Length mm	Weight Kgs
	Galv	S/S		
OnePour™ frame - (1m)	296033	296034	1000	4.3



[www.thresholddrain.co.nz](http://www.thresholddrain.co.nz)

## DrainLok™ grates

	Length mm	Part No	Wgt Kg				
Type 494D Black plastic intercept <b>HeelSafe® Anti-Slip</b>	500	142459	0.8	✓	✓	✓	✓
Type 495D Gray plastic intercept <b>HeelSafe® Anti-Slip</b>	500	142460	0.8	✓	✓	✓	✓
Type 450D S/S slotted	1000	12640	2.7	✗	✗	✓	✗
Type 445D S/S Wedgewire <b>HeelGuard®</b>	1000	141202	3.6	✓	✓	✓	✗
Type 443D S/S 5 Star <b>HeelSafe®</b>	1000	142217	3.2	✓	✓	✓	✓
Type 492D Black composite slotted <b>HeelSafe® Anti-Slip</b>	500	132720	1.0	✗	✓	✓	✓
Type 430D S/S mesh	1000	141744	4.1	✓	✗	✓	✗
Type 405D Galv mesh	1000	141739	4.1	✓	✗	✓	✗
Type 480D Iron wave <b>HeelSafe® Anti-Slip</b>	500	142461	4.5	✓	✓	✓	✓
Type 460D Iron slotted	500	12670	4.6	✗	✗	✓	✗
Type 476D Iron intercept <b>HeelSafe® Anti-Slip</b>	500	142171	5.8	✓	✓	✓	✓
Type 475D Iron Galv intercept <b>HeelSafe® Anti-Slip</b>	500	142172	5.8	✓	✓	✓	✓

## ACO Limited

Unit F/6 Percival Gull Place  
Mangere, Auckland 2022  
New Zealand

Tel: 0800 448 080  
Tel: +64 (0)9 815 9500  
Fax: +64 (0)9 255 5114

**Electronic Contact**  
info@aconz.co.nz  
www.aconz.co.nz



© February 2018 ACO Limited.

All reasonable care has been taken in compiling the information in this document. All recommendations and suggestions on the use of ACO products are made without guarantee since the conditions of use are beyond the control of the Company. It is the customer's responsibility to ensure that each product is fit for its intended purpose and that the actual conditions of use are suitable. ACO Limited reserves the right to change products and specifications without notice.

Re-order LENZ0011

