



INSTALLATION DRAWING

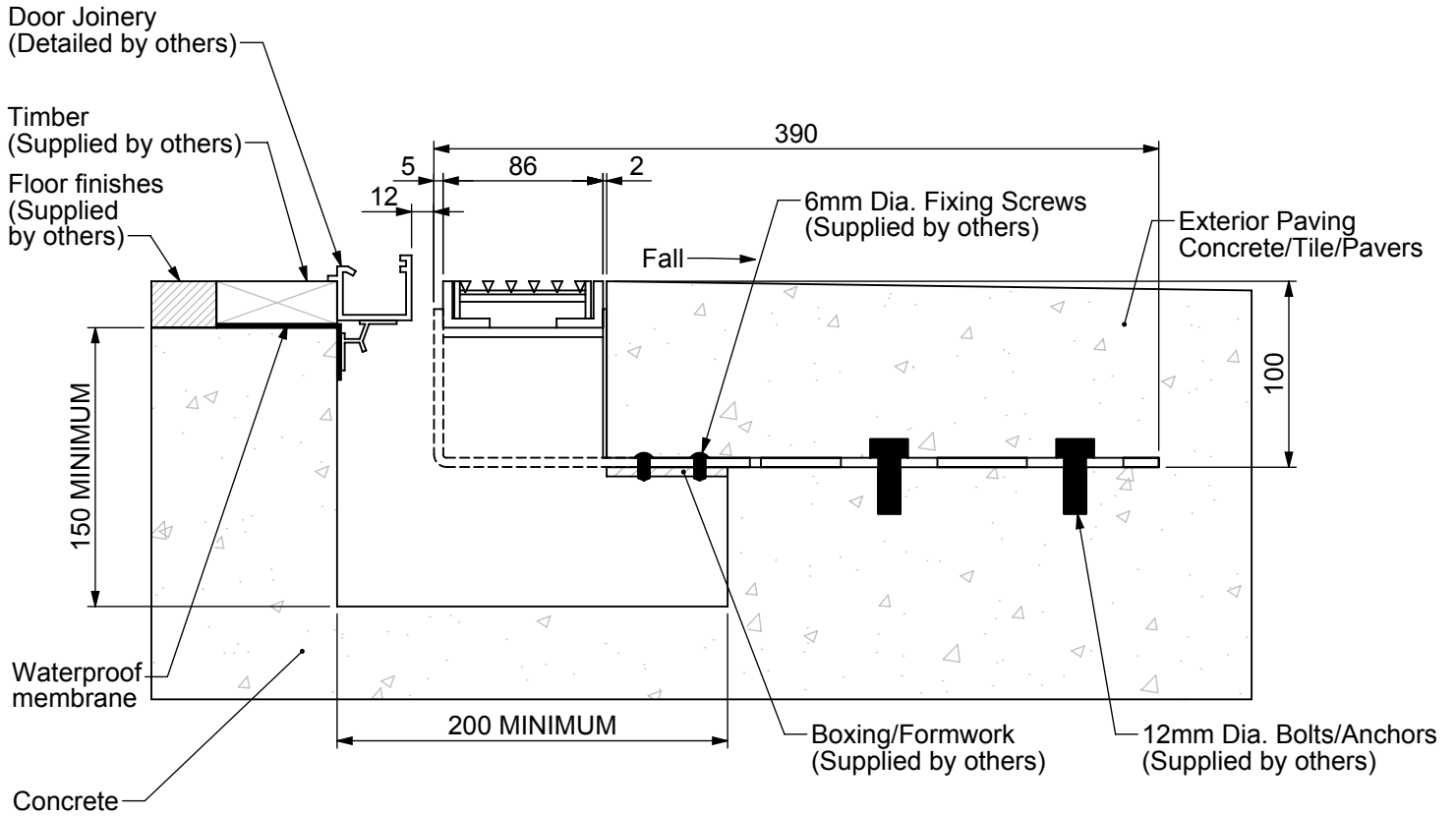
ACO Polycrete Pty Ltd

IRD 108 315 180
Unit 2A, 49 Sainbury Road
St Lukes, Auckland 1025
Tel: 09 815 9500
Fax: 09 815 9501
e: sales@aconz.co.nz

DRG #: THRESHOLD

ThresholdDrain

Website: www.thresholddrain.co.nz



©2012 ACO Polycrete Pty Ltd

NOTES:

- Customers to check and confirm the installation details meet NZ Building Code E2 Solutions Figure 17B.
- ACO recommends designers and installers check local legislative standards and practices, or seek specialised engineering advice.



SPECIFICATION CLAUSE

ACO Polycrete Pty Ltd

IRD 108 315 180
Unit 2A, 49 Sainbury Road
St Lukes, Auckland 1025
Tel: 09 815 9500
Fax: 09 815 9501
e: sales@aconz.co.nz

DRG #: THRESHOLD

ThresholdDrain

Website: www.thresholddrain.co.nz

ThresholdDrain complete with "grate type"* grate shall be installed as per ACO's installation detail with reference to NZ Building Code E2 Solutions Figure 17B.

Grate shall be 73mm wide. Channel shall be 86mm wide. The length, as specified, on designers plans/specifications.

The system shall be manufactured and supplied by ACO Limited and installed in accordance with ACO's guidelines.

Installers must check local plumbing codes and seek professional advice prior to installation.

* Insert grate type.